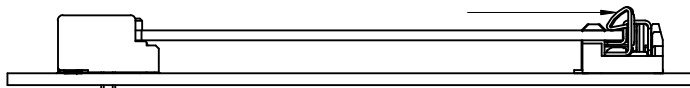


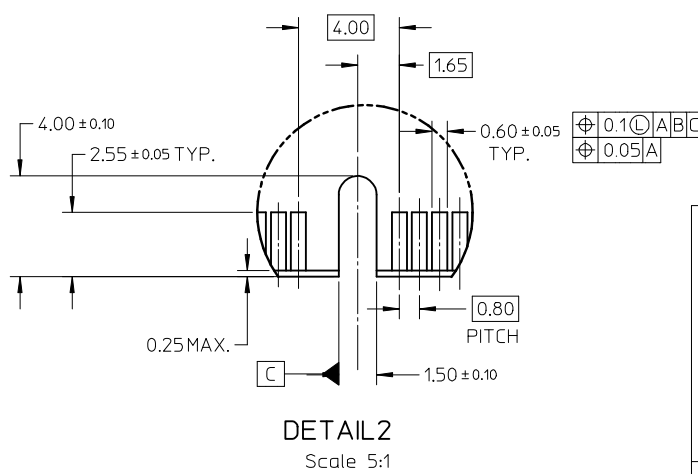
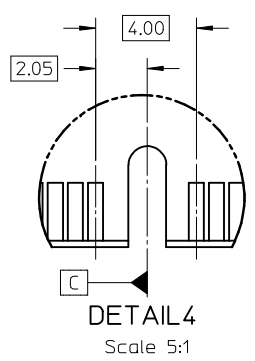
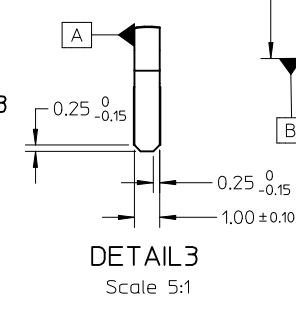
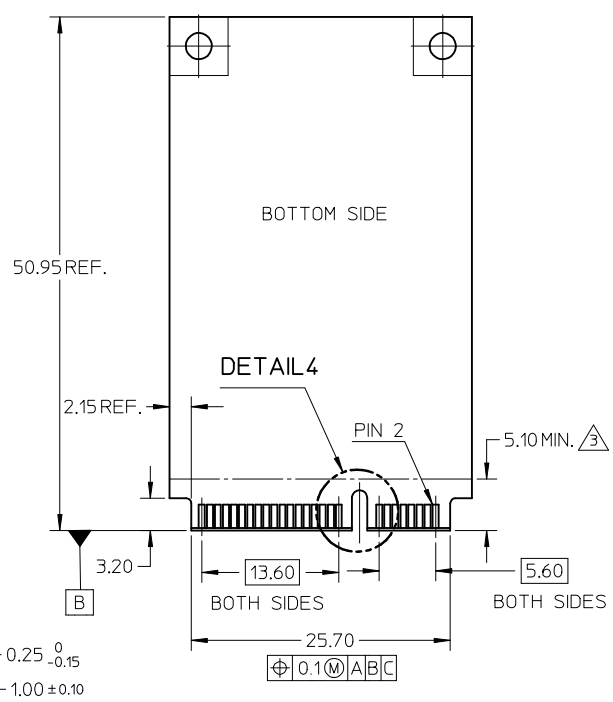
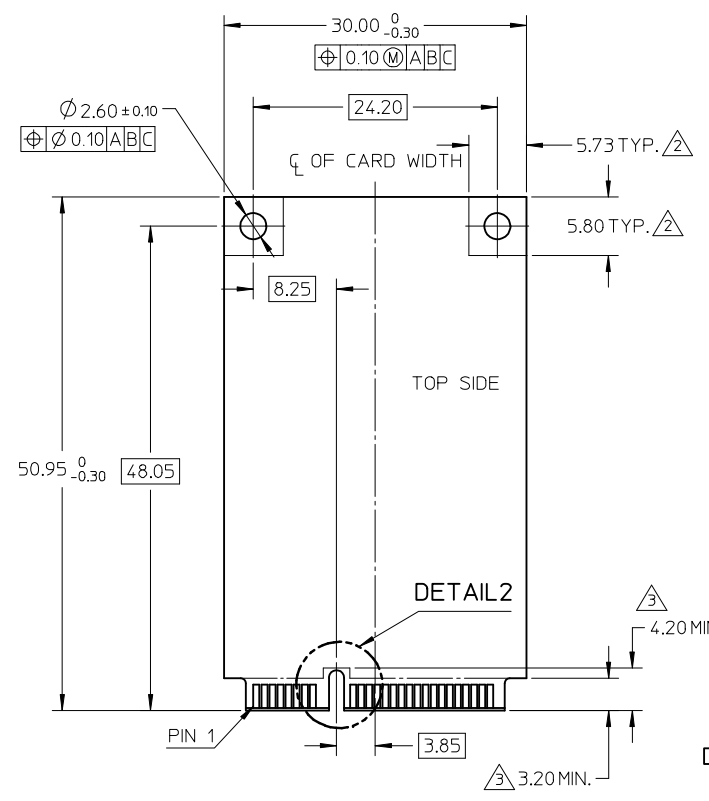
PUSH LATCH TO RELEASE MODULE



67910-5700	5.75	3.75	10 MICROINCH GOLD	
67910-5701	5.75	3.75	GOLD FLASH	
P/N	DIMENSION	A	B	CONTACT PLATING

REVISED EC NO: SH2009-0388 DR: WINEZHAO CHKD: APPR: HWANG 2008/12/03 2008/12/04 2008/12/09	QUALITY SYMBOLS	GENERAL TOLERANCES (UNLESS SPECIFIED)	DIMENSION STYLE	SCALE	DESIGN UNITS	THIRD ANGLE PROJECTION
	▼=0 ◻=0	mm INCH 4 PLACES ± --- ± --- 3 PLACES ± --- ± --- 2 PLACES ± 0.25 ± --- 1 PLACE ± 0.25 ± --- ANGULAR ± 3 °	MM ONLY	1:1	METRIC	
	DESCRIPTION	DRAFT WHERE APPLICABLE MUST REMAIN WITHIN DIMENSIONS	DRAWN BY: DAVID HU CHECKED BY: HARVEY APPROVED BY: GARY DATE: 2005/09/22 DATE: 2005/10/26 DATE: 2005/10/26	TITLE	MINI PCI EXPRESS CONN. 0.8MM PITCH 52 CIRCUIT LEAD-FREE	
	REV		SEE SHEET 1	MATERIAL NO. DOCUMENT NO.	MOLEX INCORPORATED SD-67910-004	

NOTES:
 1. PIN NUMBERING REFERENCE:
 ODD PINS-TOP SIDE
 EVEN PINS-BOTTOM SIDE
 2. COMPONENT AND ROUTING(ALL LAYERS)
 KEEP OUT AREA FOR HOLD DOWN SOLUTIONS
 3. COMPONENT KEEP OUT AREA FOR CONNECTOR



REVISED EC NO: SH2009-0388 DRW: ZHAO CHKD: APPR: HWANG	DESCRIPTION 2008/12/03 2008/12/04 2008/12/09	QUALITY SYMBOLS	GENERAL TOLERANCES (UNLESS SPECIFIED)	DIMENSION STYLE	SCALE	DESIGN UNITS	THIRD ANGLE PROJECTION	
		▽=0 ∇=0	mm INCH	MM ONLY	1:1	METRIC	⊙ □	
			4 PLACES ± --- ± --- 3 PLACES ± --- ± --- 2 PLACES ± 0.25 ± --- 1 PLACE ± 0.25 ± ---	DRAWN BY DATE DAVID HU 2005/09/22 CHECKED BY DATE HARVEY 2005/10/26 APPROVED BY DATE GARY 2005/10/26	TITLE	MINI PCI EXPRESS CONN. 0.8MM PITCH 52 CIRCUIT LEAD-FREE		
			ANGULAR ± 3 °	MATERIAL NO. SEE SHEET 1	DOCUMENT NO. SD-67910-004	MOLEX INCORPORATED		
D	REV	DRAFT WHERE APPLICABLE MUST REMAIN WITHIN DIMENSIONS		SIZE A3	THIS DRAWING CONTAINS INFORMATION THAT IS PROPRIETARY TO MOLEX INCORPORATED AND SHOULD NOT BE USED WITHOUT WRITTEN PERMISSION			
							SHEET NO. 3 OF 3	

Mouser Electronics

Authorized Distributor

Click to View Pricing, Inventory, Delivery & Lifecycle Information:

[Molex:](#)

[67910-5700](#)