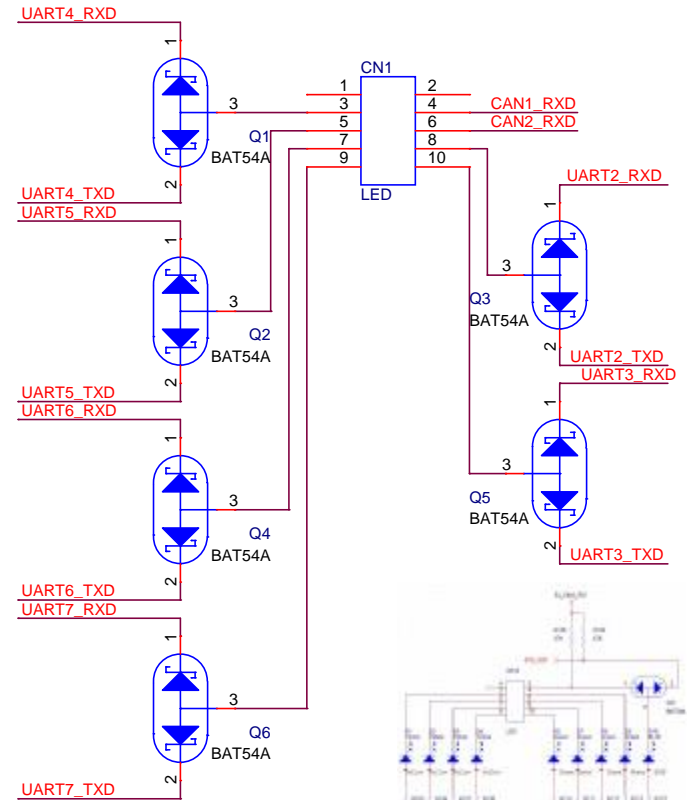
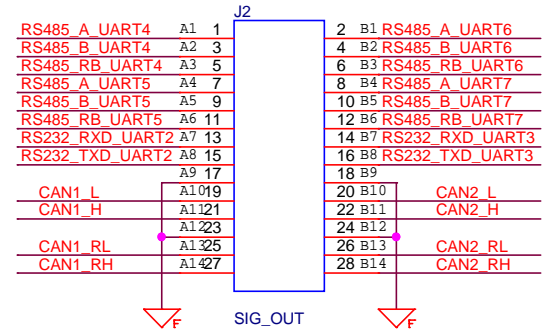
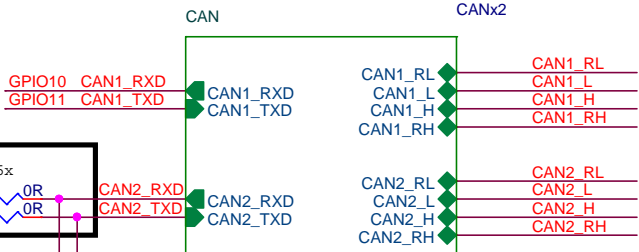
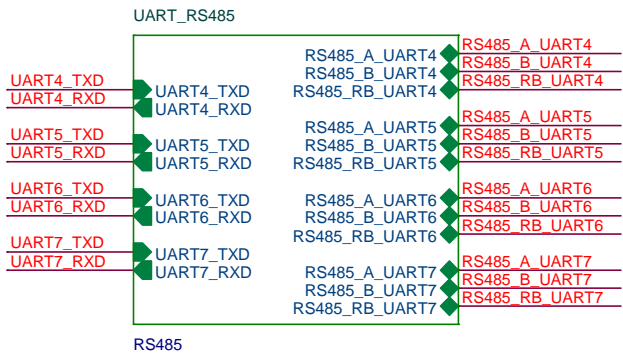
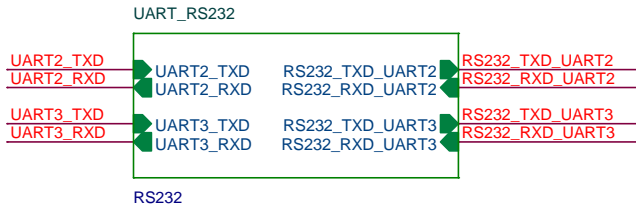
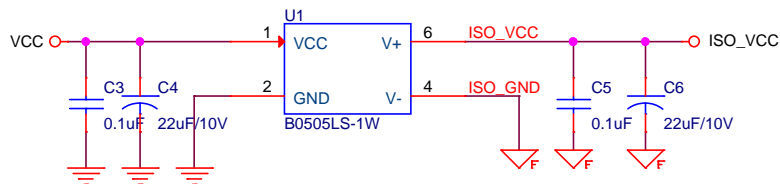
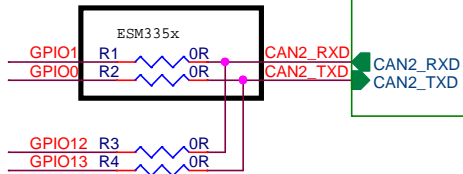
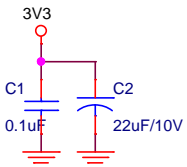
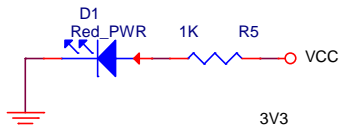
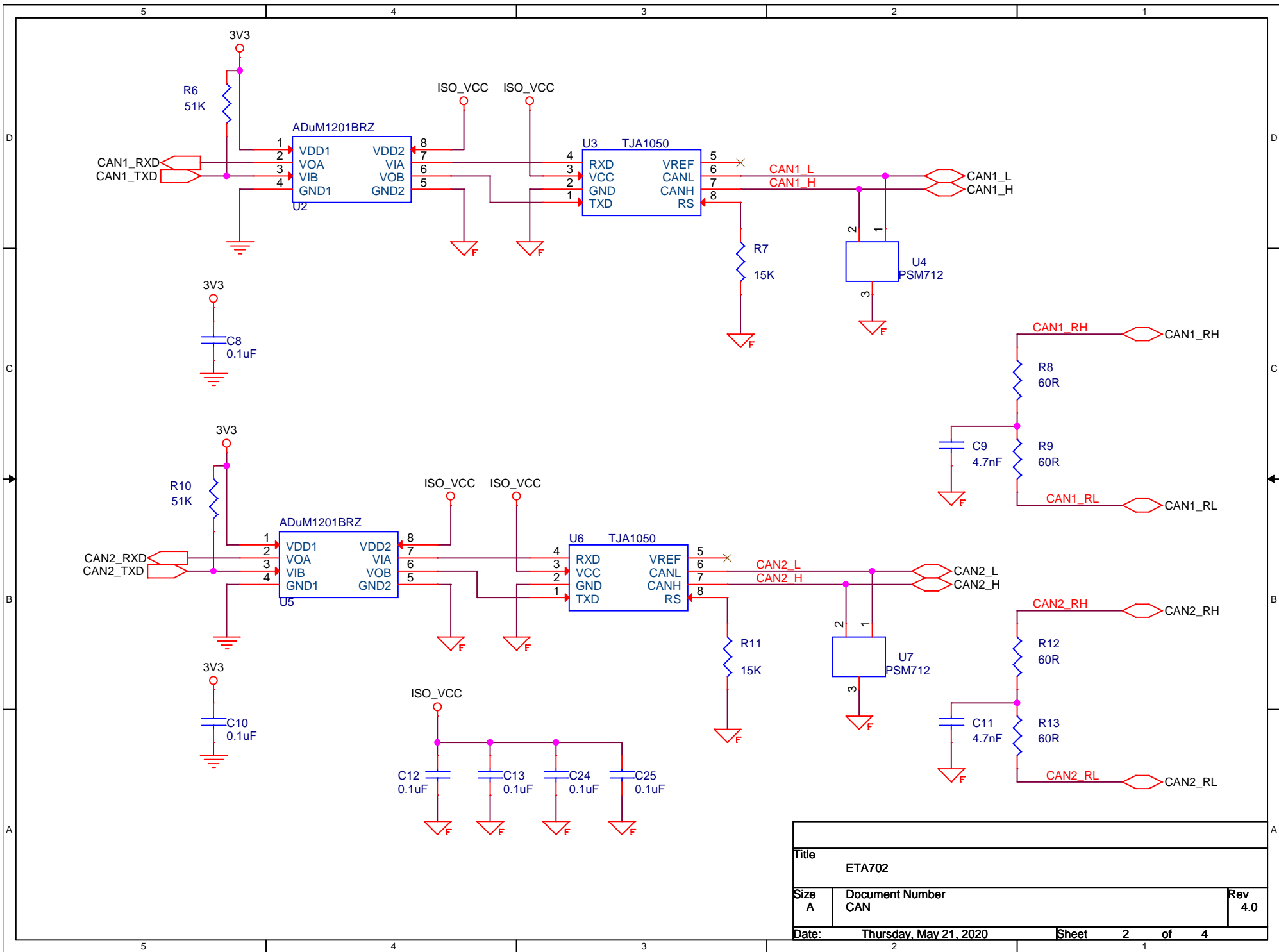


GPIO2 UART6\_RXD  
GPIO3 UART6\_TXD

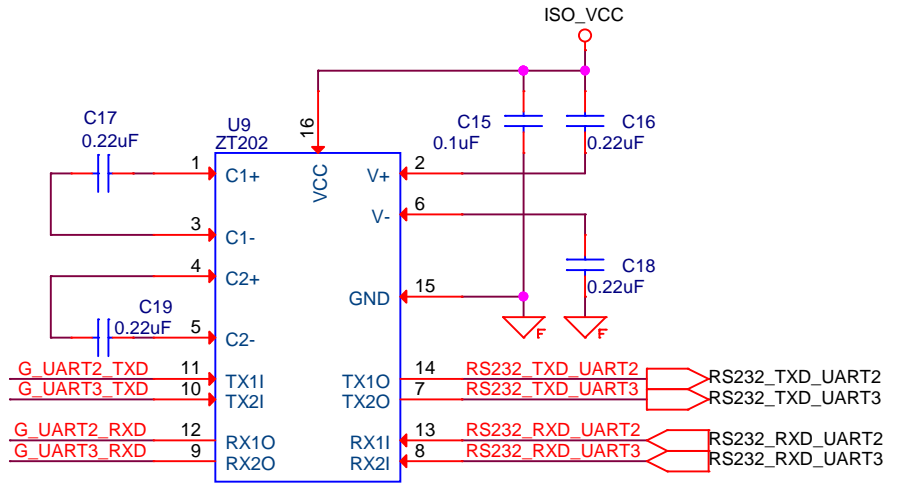
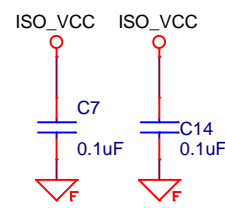
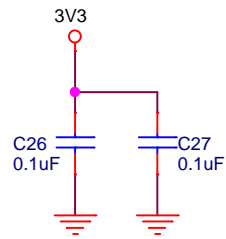
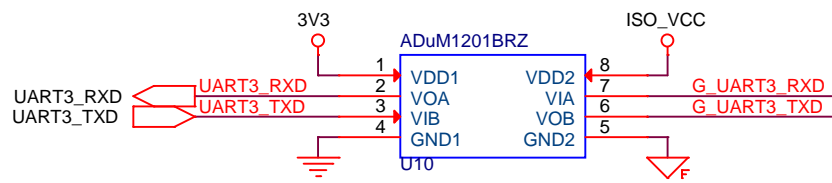
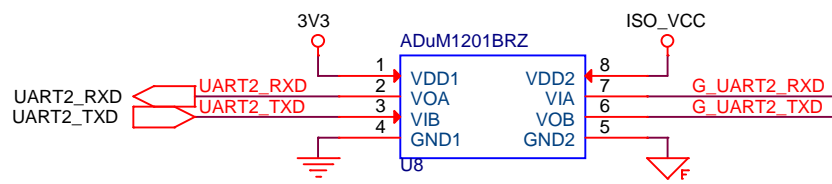
GPIO4 UART7\_RXD  
GPIO5 UART7\_TXD



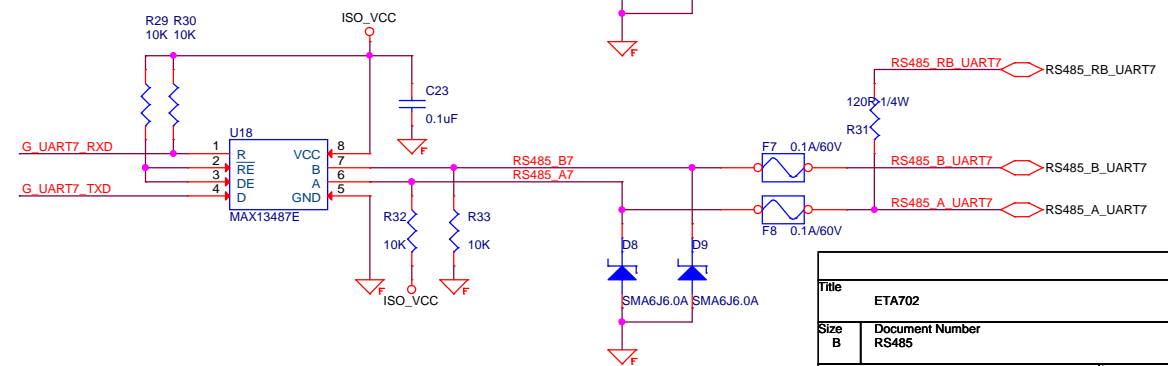
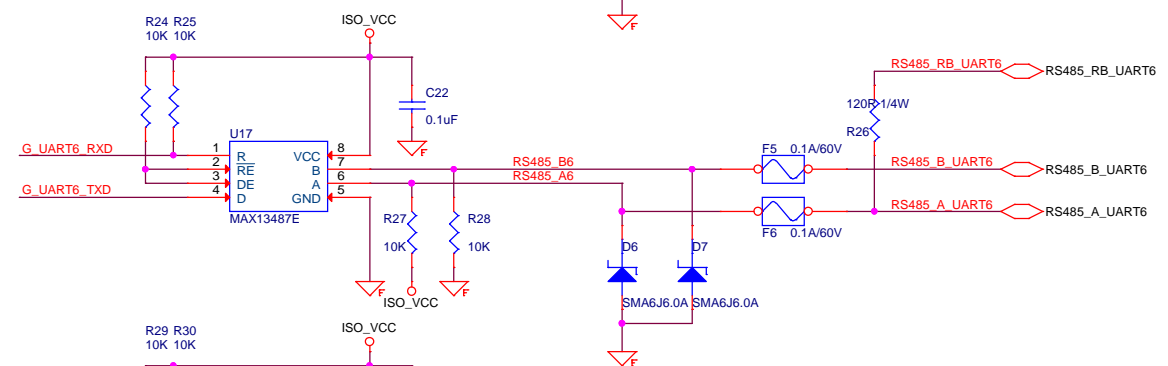
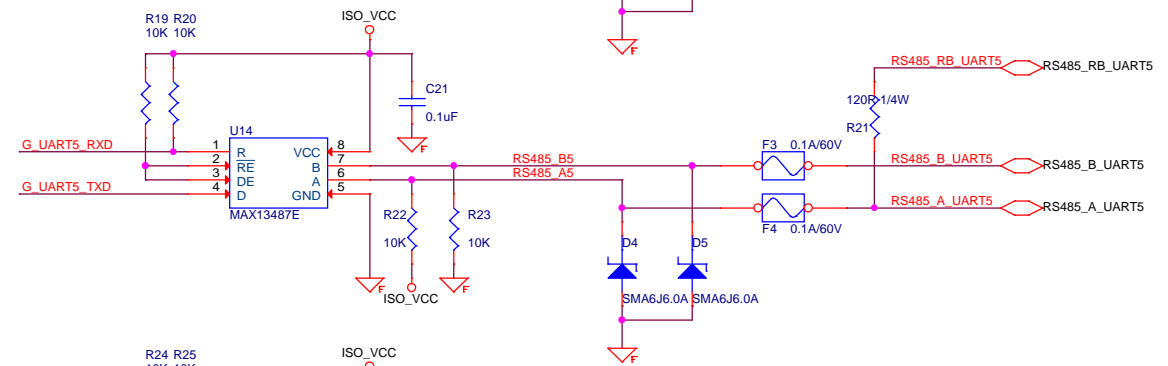
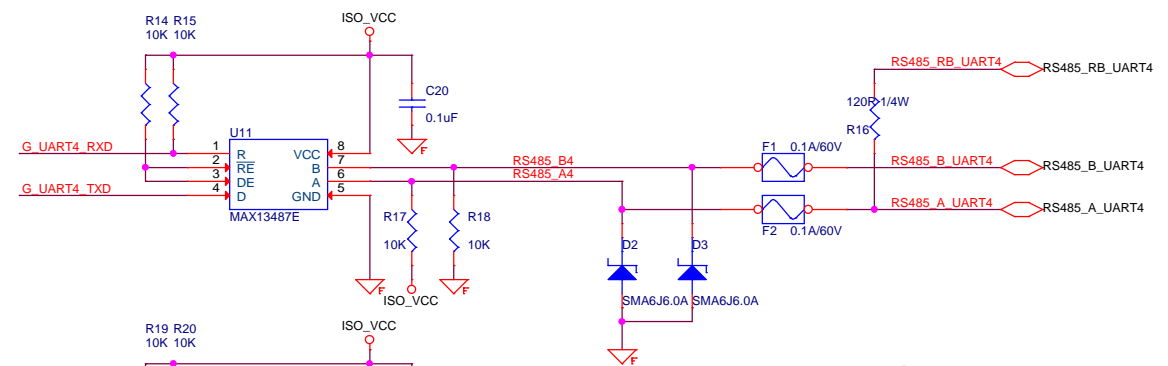
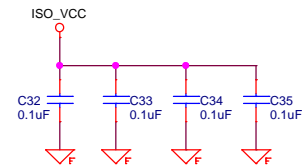
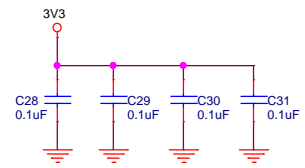
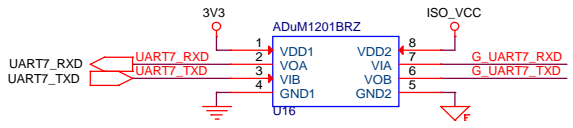
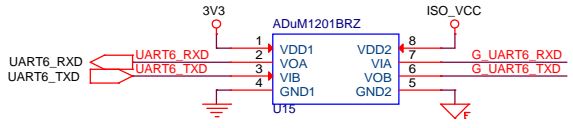
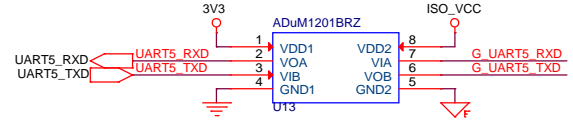
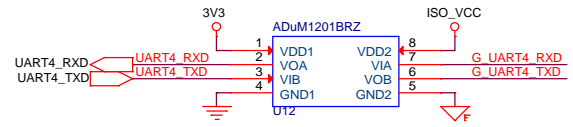
Title		
ETA702		
Size	Document Number	Rev
A4	Main	4.0
Date:	Thursday, May 21, 2020	Sheet 1 of 4



Title		
ETA702		
Size	Document Number	Rev
A	CAN	4.0
Date:	Thursday, May 21, 2020	Sheet 2 of 4



Title		
ETA702		
Size	Document Number	Rev
A	RS232	4.0
Date: Thursday, May 21, 2020		Sheet 3 of 4



Title		
ETA702		
Size	Document Number	Rev
B	RS485	4.0
Date:	Friday, February 14, 2020	Sheet 4 of 4